

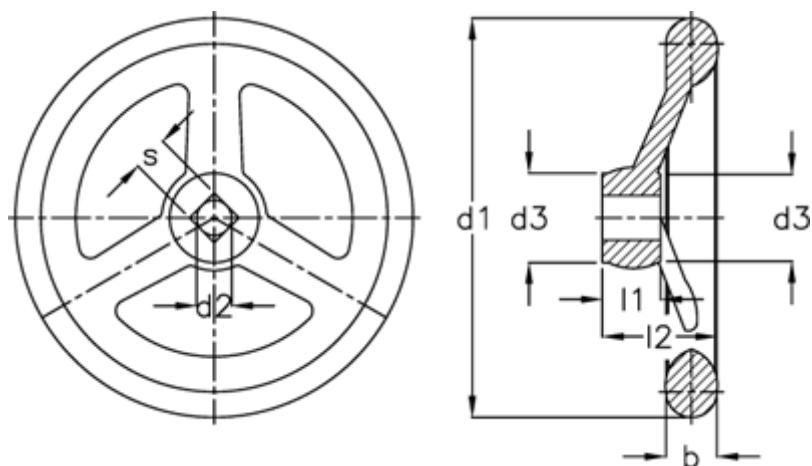
# Data Sheet



Article number: 20304353

Description: E+G Handwheel  
DIN 950-AL-400-K30-A

## Measures



b	= 32
d1	= 400
d2 H7	= 30
d3	= 65
l1	= 38
l2	= 63
Number of spokes	= 5